

### Super 700 Series Nozzle Performance Chart—US

Nozzle Size/Color	psi	25° Standard Angle				15° Low Angle				7° Flat Angle				Nozzle Size/Color	psi	25° Standard Angle				15° Low Angle				7° Flat Angle																
		GPM	Rad	△*	□*	GPM	Rad	△	□	GPM	Rad	△	□			GPM	Rad	△	□	GPM	Rad	△	□	GPM	Rad	△	□													
1.5 ● Orange	25	1.11	35	0.10	0.09	1.11	30	0.14	0.12	1.11	21	0.28	0.24	6.0 ● Green	25	4.13	39	0.30	0.26	4.13	35	0.37	0.32	4.13	22	0.95	0.82	25	5.35	41	0.35	0.31	5.35	35	0.49	0.42	5.35	20	1.49	1.29
	30	1.23	36	0.11	0.09	1.23	31	0.15	0.12	1.23	22	0.28	0.24		30	5.92	42	0.37	0.32	5.92	37	0.48	0.42	5.92	22	1.36	1.18													
	35	1.34	37	0.11	0.09	1.34	32	0.15	0.13	1.34	23	0.28	0.24		35	6.45	44	0.37	0.32	6.45	39	0.47	0.41	6.45	25	1.15	0.99													
	40	1.45	38	0.11	0.10	1.45	33	0.15	0.13	1.45	24	0.28	0.24		40	6.94	46	0.36	0.32	6.94	42	0.44	0.38	6.94	27	1.06	0.92													
	45	1.55	39	0.11	0.10	1.55	34	0.15	0.13	1.55	25	0.28	0.24		45	7.41	48	0.36	0.31	7.41	43	0.45	0.39	7.41	29	0.98	0.85													
	50	1.64	40	0.11	0.10	1.64	35	0.15	0.13	1.64	26	0.27	0.23		50	7.84	50	0.35	0.30	7.84	45	0.43	0.37	7.84	31	0.91	0.79													
2.0 ● Red	55	1.72	40	0.12	0.10	1.72	36	0.15	0.13	1.72	27	0.26	0.23	55	8.22	50	0.37	0.32	8.22	46	0.43	0.37	8.22	34	0.79	0.68														
	60	1.80	41	0.12	0.10	1.80	37	0.15	0.13	1.80	28	0.26	0.22	60	8.59	51	0.37	0.32	8.59	47	0.43	0.37	8.59	38	0.66	0.57														
	25	1.42	35	0.13	0.11	1.42	31	0.16	0.14	1.42	21	0.36	0.31	9.0 ● Dark Gray	25	5.64	42	0.36	0.31	5.64	34	0.54	0.47	5.64	21	1.42	1.23													
	30	1.58	36	0.14	0.12	1.58	32	0.17	0.15	1.58	22	0.36	0.31		30	6.28	45	0.34	0.30	6.28	36	0.54	0.47	6.28	23	1.32	1.14													
	35	1.73	37	0.14	0.12	1.73	33	0.18	0.15	1.73	24	0.33	0.29		35	6.87	47	0.35	0.30	6.87	38	0.53	0.46	6.87	25	1.22	1.06													
	40	1.86	39	0.14	0.12	1.86	35	0.17	0.15	1.86	25	0.33	0.29		40	7.42	48	0.36	0.31	7.42	41	0.49	0.43	7.42	27	1.13	0.98													
45	1.99	40	0.14	0.12	1.99	36	0.17	0.15	1.99	26	0.33	0.28	45		7.93	50	0.35	0.31	7.93	42	0.50	0.43	7.93	30	0.98	0.85														
50	2.11	41	0.14	0.12	2.11	37	0.17	0.15	2.11	27	0.32	0.28	50		8.90	51	0.38	0.33	8.90	44	0.51	0.44	8.90	32	0.97	0.84														
3.0 ● Black	55	2.21	42	0.14	0.12	2.21	38	0.17	0.15	2.21	28	0.31	0.27	55	9.33	51	0.40	0.35	9.33	46	0.49	0.42	9.33	35	0.85	0.73														
	60	2.31	43	0.14	0.12	2.31	39	0.17	0.15	2.31	29	0.31	0.26	60	9.75	52	0.40	0.35	9.75	48	0.47	0.41	9.75	37	0.79	0.69														
	25	2.40	38	0.18	0.16	2.40	33	0.27	0.21	2.40	22	0.55	0.48	4.5 ● Blue	25	2.80	39	0.20	0.18	2.80	34	0.27	0.23	2.80	22	0.64	0.56													
	30	2.66	39	0.19	0.17	2.66	34	0.26	0.22	2.66	23	0.56	0.48		30	3.13	40	0.22	0.19	3.13	36	0.27	0.23	3.13	25	0.56	0.48													
	35	2.89	40	0.20	0.17	2.89	35	0.26	0.23	2.89	25	0.51	0.45		35	3.43	41	0.23	0.20	3.43	37	0.28	0.24	3.43	27	0.52	0.45													
	40	3.12	41	0.21	0.18	3.12	37	0.25	0.22	3.12	26	0.51	0.44		40	3.71	43	0.22	0.19	3.71	39	0.27	0.23	3.71	29	0.49	0.42													
45	3.32	42	0.21	0.18	3.32	38	0.26	0.22	3.32	27	0.51	0.44	45		3.98	45	0.22	0.19	3.98	41	0.26	0.23	3.98	30	0.49	0.43														
50	3.52	43	0.21	0.18	3.52	39	0.26	0.22	3.52	28	0.50	0.43	50		4.23	46	0.23	0.19	4.23	42	0.27	0.23	4.23	31	0.49	0.42														
4.5 ● Blue	55	3.69	44	0.21	0.18	3.69	40	0.26	0.22	3.69	29	0.49	0.42	55	4.44	46	0.23	0.20	4.44	42	0.28	0.24	4.44	33	0.45	0.39														
	60	3.86	45	0.21	0.18	3.86	41	0.26	0.22	3.86	30	0.48	0.41	60	4.64	47	0.23	0.20	4.64	43	0.28	0.24	4.64	34	0.45	0.39														

\*△ Precipitation rates are for triangular spacing, shown in inches per hour, calculated at 50% of diameter.  
 □ Precipitation rates are for square spacing, shown in inches per hour, calculated at 50% of diameter.  
 All performance specifications are based on the stated working pressure available at the base of the sprinkler.  
 Radius shown in feet.

### Super 700 Series Nozzle Performance Chart—Metric

Nozzle Size/Color	Pressure			25° Standard Angle		15° Low Angle		7° Flat Angle		Nozzle Size/Color	Pressure			25° Standard Angle		15° Low Angle		7° Flat Angle	
	Bar	kPa	Kg/cm²	LPM	Radius	LPM	Radius	LPM	Radius		Bar	kPa	Kg/cm²	LPM	Radius	LPM	Radius	LPM	Radius
1.5 ● Orange	1.5	150	1.53	3.9	10.5	3.9	8.9	3.9	6.2	6.0 ● Green	1.5	150	1.53	14.4	11.3	14.4	10.5	14.4	6.1
	2.0	200	2.04	4.6	10.9	4.6	9.4	4.6	6.6		2.0	200	2.04	17.1	12.6	17.1	10.9	17.1	7.4
	2.5	250	2.55	5.2	11.4	5.2	9.8	5.2	7.1		2.5	250	2.55	19.6	13.6	19.6	11.7	19.6	8.5
	3.0	300	3.06	5.8	11.8	5.8	10.3	5.8	7.5		3.0	300	3.06	21.9	14.2	21.9	12.3	21.9	9.6
	3.5	350	3.57	6.3	12.2	6.3	10.7	6.3	8.0		3.5	350	3.57	23.9	15.0	23.9	13.2	23.9	10.1
2.0 ● Red	4.0	400	4.08	6.7	12.4	6.7	11.2	6.7	8.4	7.5 ● Light Gray	4.0	400	4.08	25.6	15.4	25.6	15.1	25.6	10.5
	1.5	150	1.53	5.2	10.6	5.2	9.4	5.2	6.3		1.5	150	1.53	18.8	12.3	18.8	10.3	18.8	5.7
	2.0	200	2.04	6.0	11.0	6.0	9.8	6.0	6.7		2.0	200	2.04	22.0	12.7	22.0	11.2	22.0	6.6
	2.5	250	2.55	6.7	11.4	6.7	10.2	6.7	7.4		2.5	250	2.55	19.6	13.6	19.6	11.7	19.6	8.5
	3.0	300	3.06	7.4	12.1	7.4	10.9	7.4	7.8		3.0	300	3.06	27.5	14.4	27.5	13.0	27.5	8.7
3.0 ● Black	3.5	350	3.57	8.0	12.5	8.0	11.3	8.0	8.3	9.0 ● Dark Gray	3.5	350	3.57	29.9	15.2	29.9	13.8	29.9	9.6
	4.0	400	4.08	8.6	13.0	8.6	11.8	8.6	8.7		4.0	400	4.08	32.0	15.4	32.0	14.2	32.0	11.1
	1.5	150	1.53	8.4	11.4	8.4	9.9	8.4	6.5		1.5	150	1.53	2.0	12.2	26.0	10.0	26.0	6.0
	2.0	200	2.04	9.9	11.8	9.8	10.3	9.9	6.9		2.0	200	2.04	24.0	1.5	24.0	10.9	24.0	6.9
	2.5	250	2.55	11.2	12.3	11.2	10.8	11.2	7.7		2.5	250	2.55	26.5	14.4	26.5	11.8	26.5	7.8
4.5 ● Blue	3.0	300	3.06	12.3	12.7	12.3	11.5	12.3	8.1	4.5 ● Blue	3.0	300	3.06	29.4	15.1	29.4	12.7	29.4	8.9
	3.5	350	3.57	13.4	13.2	13.4	11.9	13.4	8.6		3.5	350	3.57	33.9	15.5	33.9	13.5	33.9	9.9
	4.0	400	4.08	14.4	13.6	14.4	12.4	14.4	9.0		4.0	400	4.08	36.3	15.7	36.3	14.4	36.3	11.0
	1.5	150	1.53	9.8	11.7	9.8	10.9	9.8	6.1		All performance specifications are based on the stated working pressure available at the base of the sprinkler. Radius shown in meters.								
	2.0	200	2.04	11.6	12.1	11.6	10.9	11.6	7.4										
2.5	250	2.55	13.2	12.6	13.2	11.4	13.2	8.4											
3.0	300	3.06	14.8	13.5	14.8	12.3	14.8	9.1											
3.5	350	3.57	16.1	14.0	16.1	12.8	16.1	9.5											
4.0	400	4.08	17.3	14.2	17.3	13.0	17.3	10.2											



The Toro Company • Irrigation Division • An ISO 9000-Certified Company

• PO Box 489 • Riverside, CA • 92502 • (800) 664-4740 • www.toro.com

© Copyright 2003 The Toro Company • All Rights Reserved • January 2003

**TORO****Count on it.**

# Super 700 Series

**S P R I N K L E R S****RESIDENTIAL • COMMERCIAL**

These precision-engineered, gear-driven sprinklers are an extremely popular choice for high performance at a terrific value. Super 700 Series fits all medium to large residential and commercial applications.



## Super 700 Series Sprinklers

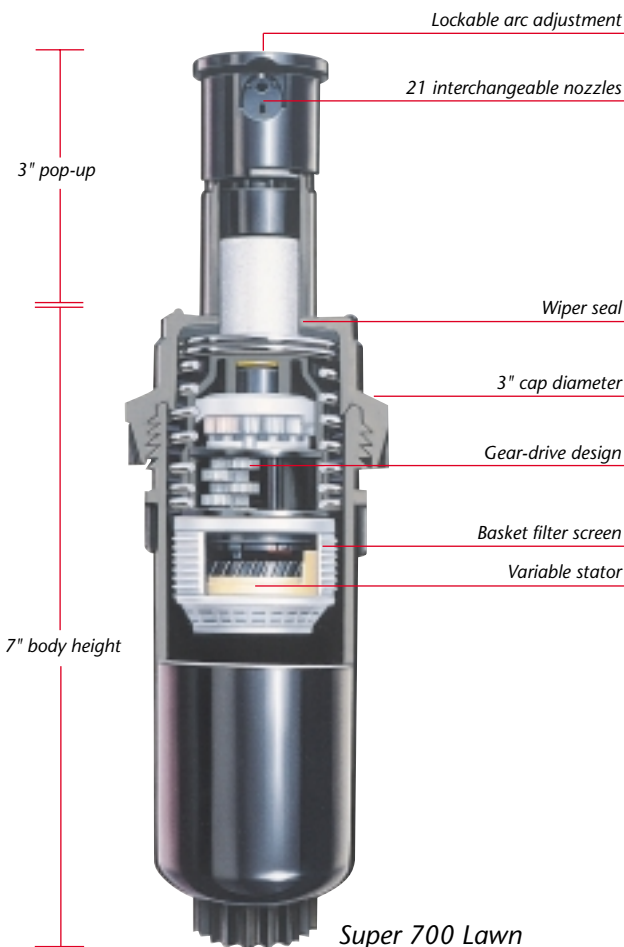
### 21'-52' (6-16m) Radius

#### Features

- Full-circle and adjustable part-circle (40°-330°) models
- 21 interchangeable nozzle turrets
- Adjustment screw allows up to 25% radius reduction
- Balanced precipitation rate nozzles
- Lockable arc adjustment
- Check valve prevents low-head drainage and keeps laterals charged with water (standard on commercial and high-pop models and optional on shrub models)
- Stainless steel riser sleeve (S700C)
- Locking cap (S700C, high-pop)
- Side-inlet body (high-pop)
- Gear-drive design for longer life
- Basket filter screen to prevent clogging



- Stainless steel retraction spring
- Wiper seal
- Durable engineering plastic and stainless steel construction
- Small surface diameter
- At-grade installation for safety
- Recycled water identification plug available (Part No. 89-3816)
- Two-year warranty



Super 700 Lawn

### Specifying Information

S700XX XC XX XA COM E

Body	Arc	Nozzle	Angle	Optional	Optional
P—Lawn	P—Part-circle	15—1.5	S—Standard	COM—Check-O-Matic*	E—Effluent
C—Commercial	F—Full-circle	20—2.0	Angle 25°		
HP—High-pop		30—3.0	L—Low		
S—Shrub Body		45—4.5	Angle 15°		
		60—6.0	F—Flat		
		75—7.5	Angle 7°		
		90—9.0			

**Example:** A Super 700 Series High-pop Sprinkler with a 360° arc and #3.0 flat-angle nozzle, would be specified as: **S700HP-FC-30-FA**

\*COM is standard on commercial and high-pop models and optional on shrub models.

## Specifications

### Nozzle Performance

- Flow rate: 1.11–9.75 GPM (5,0–44,3 LPM)
- Recommended operating pressure range: 25–75 psi (1,7–5,2 Bar)
- Maximum operating pressure: 75 psi (5,2 Bar)
- Trajectory:
  - Standard angle: 25°
  - Low angle: 15°
  - Flat angle: 7°

### Lawn Pop-up and Commercial

- Flow rate: 1.11–9.75 GPM (4–37 LPM)
- Recommended operating pressure: 25–50 psi (1,7–3,5 Bar)
- Maximum operating pressure: 75 psi (3,5 Bar)
- Pop-up to nozzle: 3" (75mm)
- ¾" (20mm) NPT female-threaded inlet
- Dimensions:
  - Body diameter: 2⅝" (59mm)
  - Cap diameter: 3" (75mm)
  - Height: 7" (180mm)
- Standard check valve maintains up to 10' (3m) elevation change (S700C)

### Lawn Pop-up Apex @ 40 psi (2,7 Bar)

Nozzle Series	Max. Height of Spray		
	25°	15°	7°
1.5	7' 6" (2,3m)	4' 10" (1,5m)	2' 6" (0,8m)
2.0	8' 0" (2,4m)	5' 4" (1,6m)	2' 1" (0,6m)
3.0	8' 6" (2,6m)	5' 2" (1,6m)	2' 0" (0,6m)
4.5	9' 0" (2,7m)	5' 7" (1,7m)	2' 1" (0,8m)
6.0	10' 0" (3,0m)	5' 5" (1,7m)	2' 1" (0,6m)
7.5	10' 6" (3,2m)	5' 6" (1,7m)	2' 7" (0,8m)
9.0	11' 0" (3,4m)	5' 5" (1,7m)	2' 3" (0,7m)

### Shrub

- Flow rate: 1.36–9.10 GPM (6,1–41,3 LPM)
- Recommended operating pressure: 25–50 psi (1,7–3,5 Bar)
- Maximum operating pressure: 75 psi (3,5 Bar)
- ½" to ¾" (13 to 20mm) female-threaded inlets
- Dimensions:
  - Body diameter: 1¾" (45mm)
  - Cap diameter: 3" (75mm)
  - Height: 5⅝" (131mm)
- Optional check valve maintains up to 8' (2,4m) elevation change



### High-pop

- Flow rate: 1.11–9.75 GPM (3–37 LPM)
- Recommended operating pressure: 25–50 psi (1,7–3,5 Bar)
- Maximum operating pressure: 75 psi (3,5 Bar)
- Pop-up to nozzle: 10½" (270mm)
- ¾" (20mm) female-threaded bottom and side inlets
- Side inlet: 7" (180mm) from top of cap to center of side inlet

- Dimensions:
  - Body diameter: 2⅝" (60mm)
  - Cap diameter: 3" (75mm)
  - Height: 16½" (420mm)
- Standard check valve maintains up to 10' (3m) elevation change

**Note: Specifications subject to change without notice.**

**For more information, contact your local Toro distributor.**

### Super 700 Series Shrub w/COM—U.S. (Model Nos. S700S-PC-COM & S700S-F-COM)

Nozzle Size	Color	psi	GPM	7° Radius	15° Radius	25° Radius
1.5	Orange	45	1.36	23	32	37
2.0	Red	45	1.92	24	34	38
3.0	Black	50	2.76	25	35	39
4.5	Blue	50	3.84	27	38	42
6.0	Green	55	5.33	31	40	46
6.0	Green	75	6.14	32	41	48
7.5	Lt. Gray	55	6.86	32	41	47
7.5	Lt. Gray	75	7.50	33	42	49
9.0	Dk. Gray	60	7.83	34	43	49
9.0	Dk. Gray	75	9.10	35	44	48

Radius shown in feet.

### Super 700 Series Shrub w/COM—Metric (Model Nos. S700S-PC-COM & S700S-F-COM)

Nozzle Size	Color	Bar	LPM	7° Radius	15° Radius	25° Radius
1.5	Orange	3,0	4,9	23	32	37
2.0	Red	3,0	7,2	24	34	38
3.0	Black	3,5	10,6	25	35	39
4.5	Blue	3,5	14,8	27	38	42
6.0	Green	4,0	20,8	31	40	46
6.0	Green	5,0	22,7	32	41	48
7.5	Lt. Gray	4,0	26,5	32	41	47
7.5	Lt. Gray	5,0	28,0	33	42	49
9.0	Dk. Gray	4,0	28,8	34	43	49
9.0	Dk. Gray	5,0	33,7	35	44	48

Radius shown in meters.